



Made In Italy



VGS SERIES

Summersible Pump Technical Catalogue

2021

DESCRIPTION

VGS series new submersible sewage pumps developed on the base of 25 years of experiences in the fields of submersible pump's development and production, optimized hydraulic model, upgrade the shaft seal design, improve bearing and motor design, suitable for the drainage of sewage, dirty water with solids, waste water, removal of treated liquid waste, and tank emptying and general dirty water duties.

FEATURES

Enclosed channel impeller or semi-open vortex impeller for option.

Pump set structure compact, the extended shaft short, less vibration and noise, longer working life of shaft seal and bearing.

Heavy duty water proof and oil-resistant rubber sleeve flexible cable, could work at Max. 40°C

Submersible induction motor, IP68, Class B or F or H, each phase protected shaft seal system.

Lifelong lubrication maintenance-free bearing, Type SKF strong and reliable, fully separated from the pumped liquid.

APPLICATION

Mainly suitable for the application of municipal works, building, hospital, hotel, restaurant, industry drainage and waste water treatment; For the drainage of dirty water with solids or long fibers as well as rainwater, sewage etc. for the transfer of raw water, fish farming.

CONDITIONS

Max. liquid temperature: 40°C

PH valve: 4-10

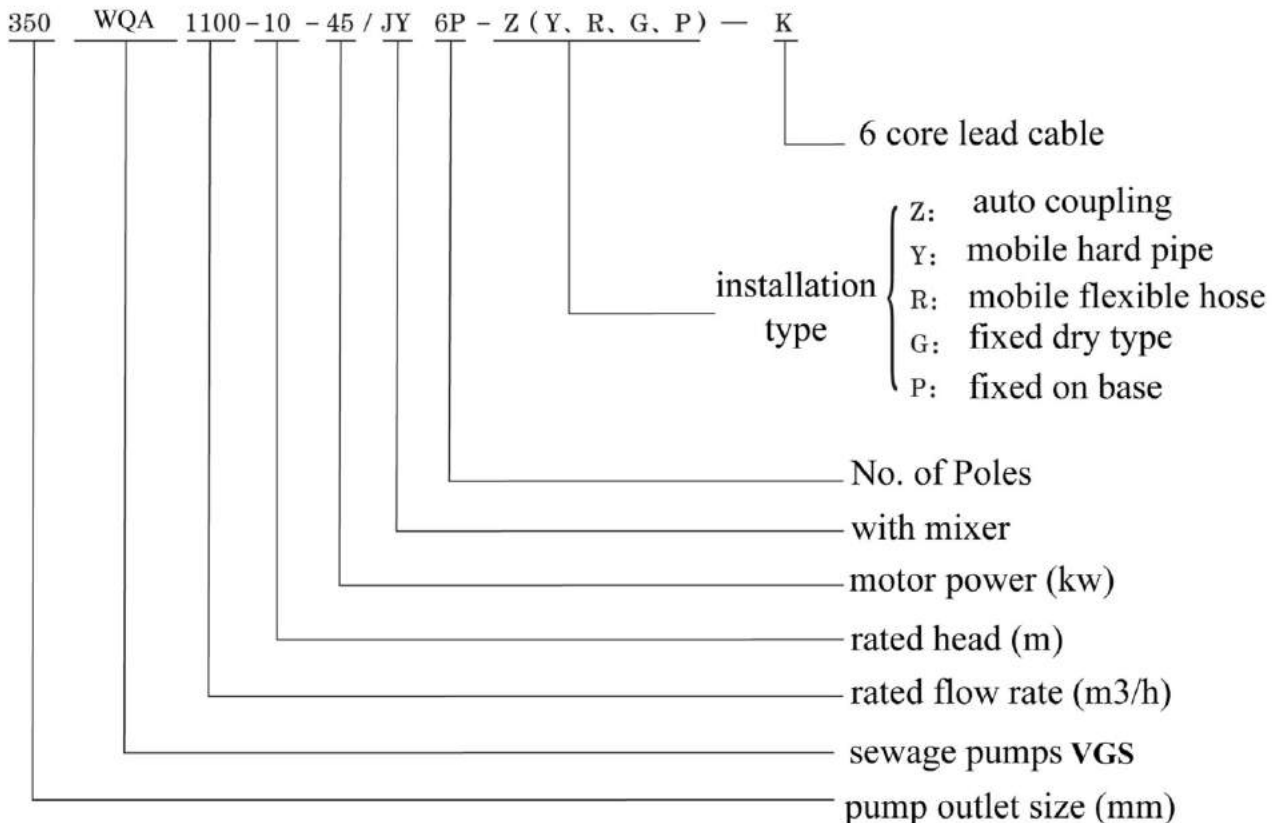
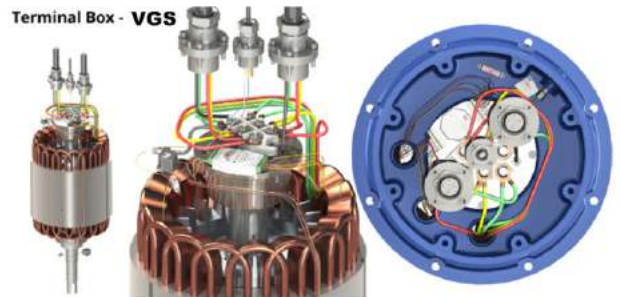
Lowest liquid level: with cooling system, no requirements; without cooling system, half motor should be immersed in the liquid.

Max. Solids size: refer to specification data "d"

Max. length of fiber: the diameter of pump outlet

TECHNICAL NOTE

1. PUMP MODEL CODE:



2. Power of Motor: Rated Voltage and Frequency: 380V/50Hz

- ① Power from 0.55kw to 2.2kw, Single Phase Motor Available.
- ② Tri-phase Motor less than 690V Available Upon Request

3. Motor Connection System and Starting Mode

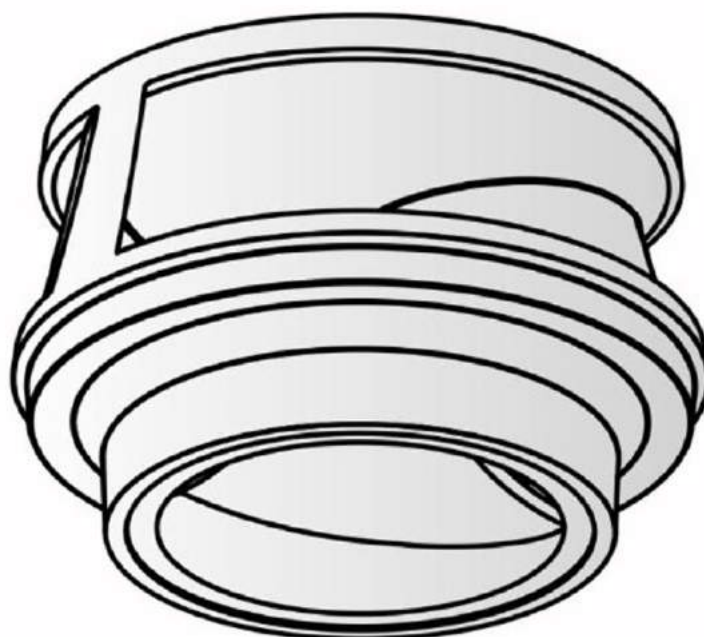
DOL or Autotransformer or Soft Starter for power > 110kw, Delta type connection

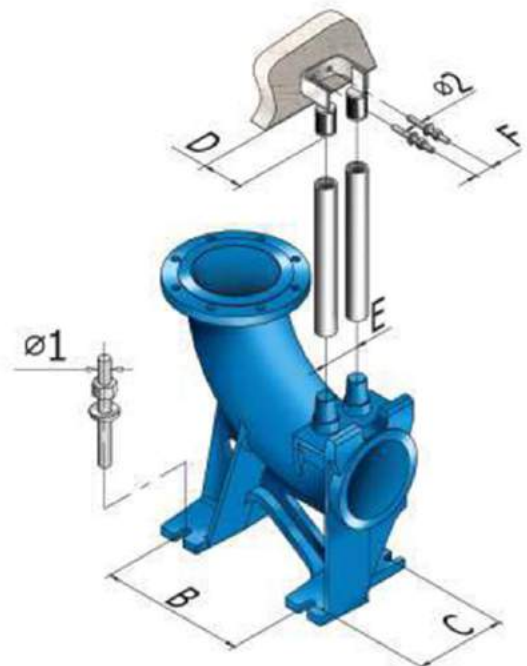
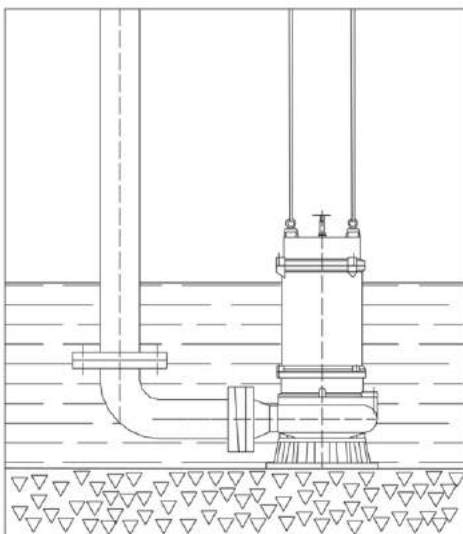
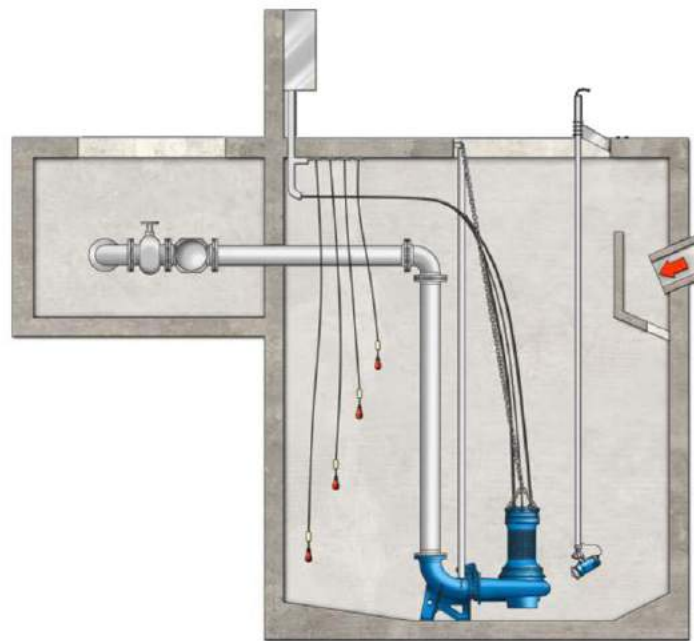
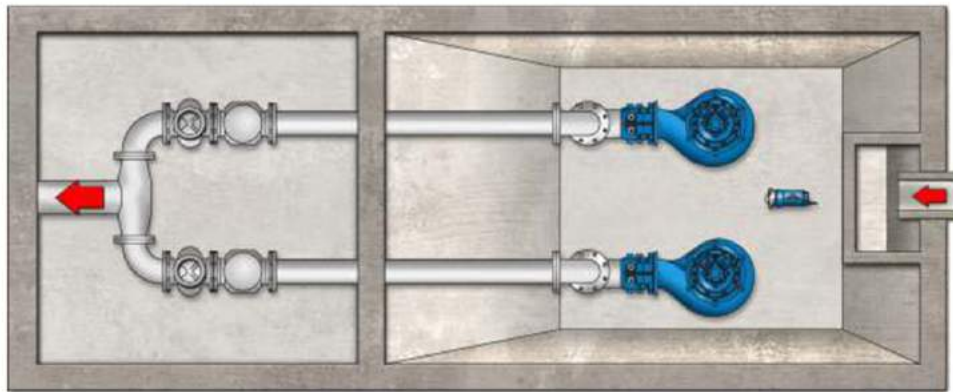
- ① Y-Δ or soft starting for power from 15kw to 110kw with 6 core lead out cable; Autotransformer or Soft Starter for Delta type connection
- ② DOL for all single phase motor

4. Special Designed Control Box available for perfect working with all the protection detector fixed inside the pumps and automatic control the pumps.

MAIN PART MATERIALS

S/N	Part	Material	Remarks
1	Pump Case	Cast Iron Grade HT200	Ductile Iron or Cast Iron Grade HT250 Optional
2	Pump Base	Cast Iron Grade HT200	Ductile Iron or Cast Iron Grade HT250 Optional
3	Impeller	Cast Iron Grade HT200 OR ST.S AISI316	Ductile Iron or Cast Iron Grade HT250 Optional
4	Motor Case	Cast Iron Grade HT200	Ductile Iron or Cast Iron Grade HT250 Optional
5	Shaft	Stainless Steel Grade 2Cr13	
6	Mechanical Seal, Motor Side:	Ceramic/Si.C/NBR	
7	Mechanical Seal, Pump Side:	Si.C/Si.C/NBR	WC/Si.C/NBR Optional





Y: MOBILE HARD PIPE DUCK FOOT

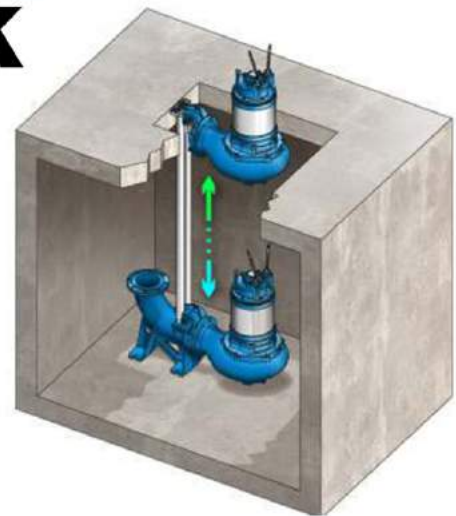


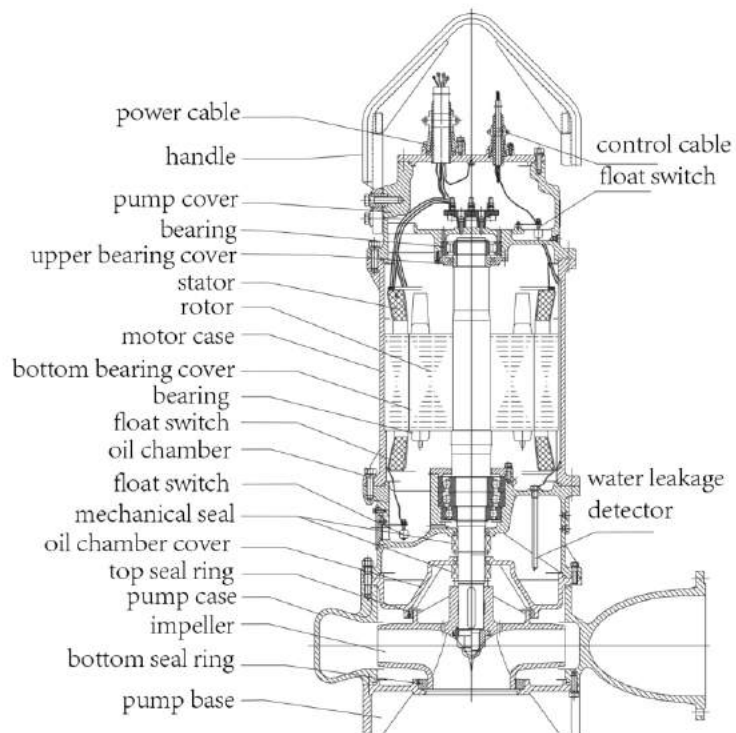
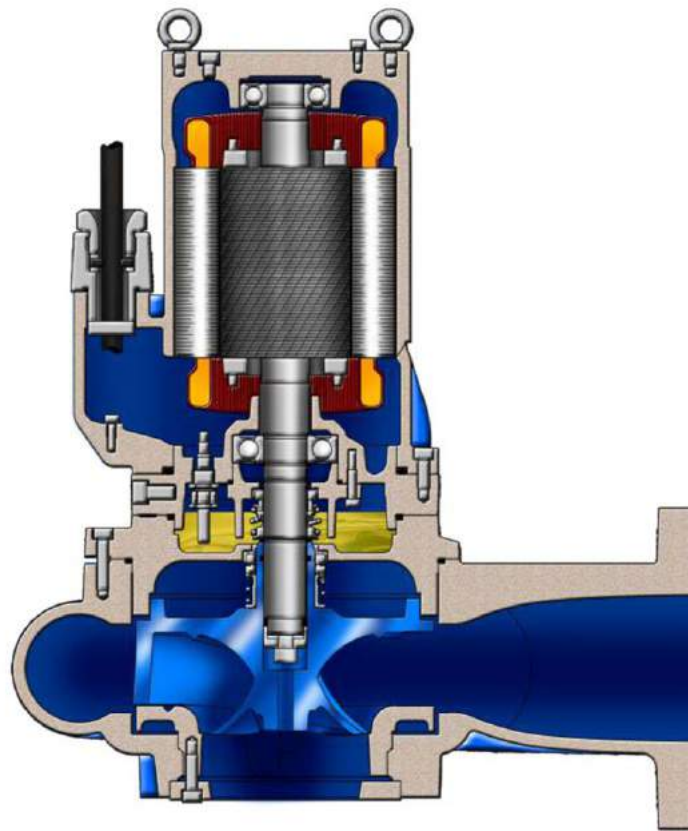
H



V

K





VGSB3 VGSB5

VGSB1 VGSB1.3

SUBMERSIBLE DRAINAGE PUMPS
DEFINITION

Monophasic electric, easy-to-install, self-running, floatered submersible drainage pumps.

It is manufactured at frequencies of 50 Hz and 60 Hz.

USAGE AREAS

This type pumps using at, waterfall up to a maximum height of 14 m, basement, ornamental pond, building, drainage pit and puddles, and discharges particles not exceeding 3 mm.

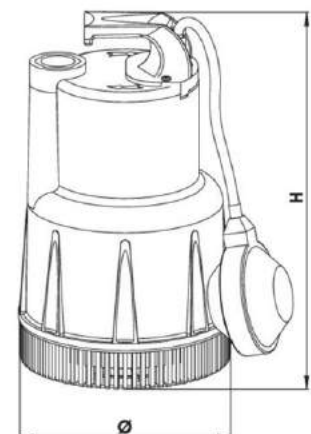
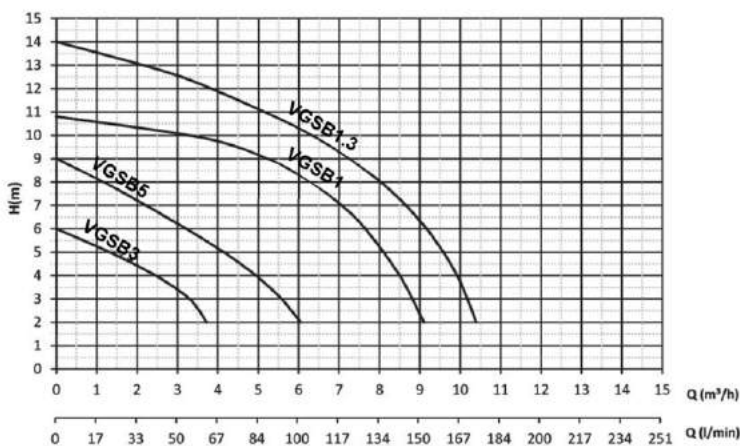
PUMP MATERIAL PROPERTIES

PUMP BODY	PPH
IMPELLER	NORLY
SHAFT	AISI 304 INOX
LIQUID PUMPING TEMPERATURE	0-30°C
PROTECTION CLASS	IP 68
INSULATION	Cl.F
CABLE LENGTH	10 m
MECHANICAL SEAL	SIC / SIC

TYPE	Panel	Open Impeller	Close Impeller	Blade	Stainless (AISI 304 INOX)	Cast Iron Impeller(GG25)	Noryl Impeller	Thermic Productor
VGSB3		✓					✓	
VGSB5		✓					✓	
VGSB1		✓					✓	✓
VGSB1.3		✓					✓	✓

PUMP TECHNICAL PROPERTIES

TYPE	MOTOR							PUMP									
	KW	HP	V	Hz	A	rpm	CAPACITOR uf Vc	INPUT OUTPUT	Ø mm	H mm	KGm ³ /h	Hm					
VGSB3	0.25	0.33	220	50	1.3	2900	8 450	1"	147	248	4.5	5.2 3.5 - - -					
VGSB5	0.37	0.5	220	50	1.7	2900	10 450	1"	147	248	5.5	8 6 4 - -					
VGSB1	0.65	0.85	220	50	4.3	2900	20 450	1 ^{1/4}	180	326	12	10.5 10 9 7 -					
VGSB1.3	1	1.3	220	50	4.4	2900	25 450	1 ^{1/4}	180	326	13	13.5 12.5 11 9 4					



FEW DIRTY WATER SUBMERSIBLE PUMPS
VGSF 10/2

DEFINITION

CASTING body, three-phase electric, high-altitude, multi-stage clean and few dirty water submersible pumps.

It is manufactured at frequencies of 50 Hz and 60 Hz.

USAGE AREAS

This type pumps using at, waterfall up to a maximum height of 81 m, supply of clean and few dirty water.

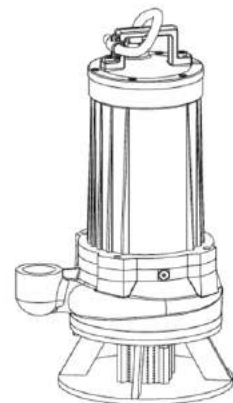
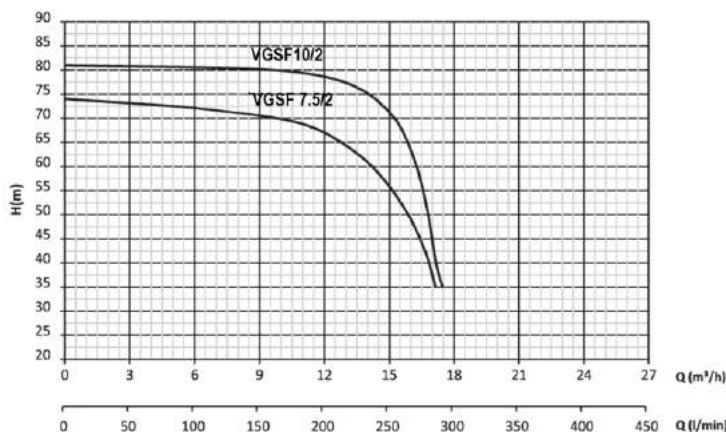
PUMP MATERIAL PROPERTIES

PUMP BODY	GG25 CAST
IMPELLER	GG25 CAST
SHAFT	AISI 304 INOX
LIQUID PUMPING TEMPERATURE	0-30°C
PROTECTION CLASS	IP 68
INSULATION	Cl.F
CABLE LENGTH	10 m
MECHANICAL SEAL	SIC / SIC

TYPE	Panel	Open Impeller	Close Impeller	Blade	Stainless (AISI 304 INOX)	Cast Iron Impeller(GG25)	Noryl Impeller
VGSF 7.5/2	✓		✓			✓	
VGSF 10/2	✓		✓			✓	

PUMP TECHNICAL PROPERTIES

TYPE	MOTOR							PUMP									
	KW	HP	V	Hz	A	rpm	INPUT OUTPUT	W mm	L mm	H mm	KG	m ³ /h	7	12	16	17	18
VGSF 7.5/2	5.5	7.5	380	50	12.5	2900	2"	185	400	650	86.5	Hm	72	67	50	40	-
VGSF10/2	7.5	10	380	50	14	2900	2"	200	400	650	92.5		80	77	68	45	-



VGSV5.5/2 VGSV7.5/2



VGSV10/4



VORTEX IMPELLER SEPTIC SUBMERSIBLE PUMPS

DEFINITION

Casting body, three-phase, septic submersible pumps. It is manufactured at frequencies of 50 Hz and 60 Hz.

USAGE AREAS

This type pumps using at, drainage of puddles, rain and floodwaters in channels and pits up to a maximum height of 39 m, ornamental pools with high flow, residential units and industrial facilities. Because SDTV series pumps are vortex impeller, they are used for the discharge of solid waste and the discharge of cloth, sack piece, fibrous material up to 10 mm. Because SDTV100/4 type pumps are vortex fan, they are preferred for the discharge of solid waste and in the discharge of cloth, sack piece, fibrous material up to 50 mm.

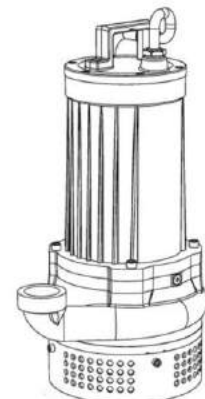
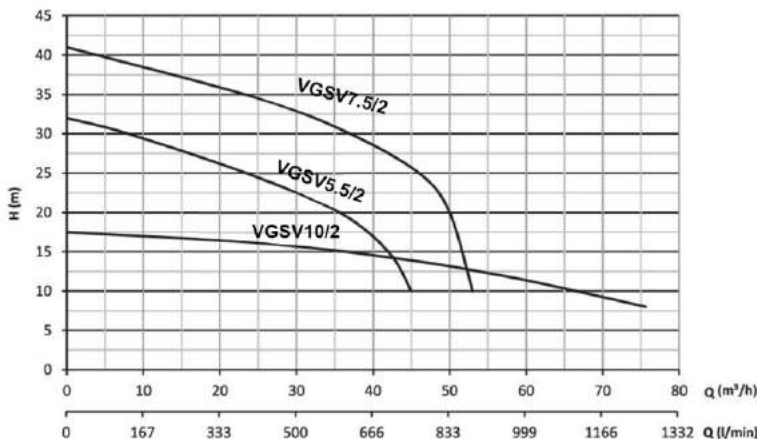
PUMP MATERIAL PROPERTIES

PUMP BODY	GG25 CASTING
IMPELLER	GG25 CASTING
SHAFT	AISI 304 INOX
LIQUID PUMPING TEMPERATURE	0-30°C
PROTECTION CLASS	IP 68
INSULATION	Cl.F
CABLE LENGTH	10 m
MECHANICAL SEAL	SIC / SIC

TYPE	Panel	Open Impeller	Close Impeller	Blade	Stainless (AISI 304 INOX)	Cast Iron Impeller(GG25)	Noryl Impeller
VGSV5.5/2	✓	✓				✓	
VGSV7.5/2	✓	✓				✓	
VGSV10/2	✓	✓				✓	

PUMP TECHNICAL PROPERTIES

TYPE	MOTOR							PUMP										
	KW	HP	V	Hz	A	rpm	OUTPUT	Hm	W mm	L mm	H mm	KG	m ³ /h	15	25	35	50	60
VGSV5.5/2	4	5.5	380	50	9.5	2900	2"	32	290	380	610	77.5	Hm	27	24	20	-	-
VGSV7.5/2	5.5	7.5	380	50	12	2900	2"	42	290	380	610	81		37	34	31	20	-
VGSV10/2	7.5	10	380	50	14	2900	4"	17	290	525	661	91		16.5	15.5	15	13	11



VGSK3/2



VGSK4/3



SEPTIC SUBMERSIBLE PUMPS

DEFINITION

Cast body, three-phase cesspool submersible pumps.
It is manufactured at frequencies of 50 Hz and 60 Hz.

USAGE AREAS

This type pumps using at, drainage of puddles, rain and floodwaters in channels and pits up to a maximum height of 21 m and in residential units and industrial facilities; sewage waters containing solid and fibrous particles not exceeding 30 mm.

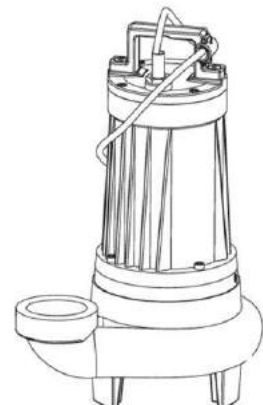
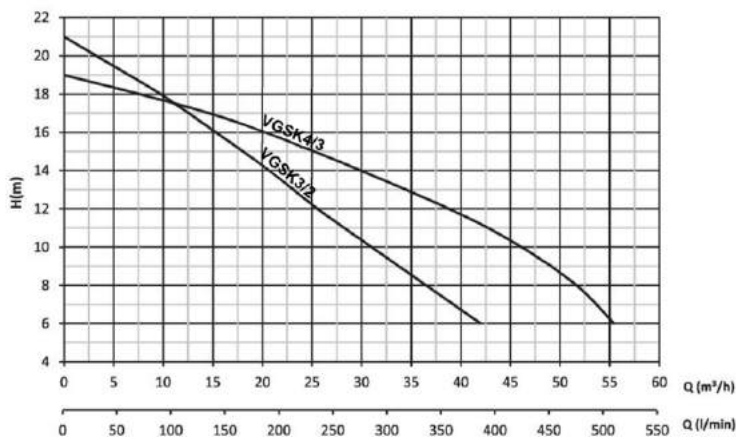
PUMP MATERIAL PROPERTIES

PUMP BODY	GG25 CAST
IMPELLER	GG25 CAST
SHAFT	AISI 304 INOX
LIQUID PUMPING TEMPERATURE	0-30°C
PROTECTION CLASS	IP 68
INSULATION	Cl.F
CABLE LENGTH	10 m
MECHANICAL SEAL	SIC / SIC

TYPE	Panel	Open Impeller	Close Impeller	Blade	Stainless (AISI 304 INOX)	Cast Iron Impeller(GG25)	Noryl Impeller
VGSK3/2	✓		✓			✓	
VGSK4/3	✓		✓			✓	

PUMP TECHNICAL PROPERTIES

TYPE	MOTOR						PUMP										
	KW	HP	V	Hz	A	rpm	OUTPUT	W mm	L mm	H mm	KG	m ³ /h	10	20	30	40	50
VGSK3/2	2.2	3	380	50	4	2900	2"	260	330	530	46.5	Hm	18	14	10	7	-
VGSK4/3	3	4	380	50	6.7	2900	3"	260	330	530	47.5		17.5	16	14	12	9



VGSK 2/2 VGSK 2/3



VGSK 2/2 VGSK 2/3



SEPTIC SUBMERSIBLE PUMPS

DEFINITION

Casting body, monophasic electric, floatered septic submersible pumps. It is manufactured at frequencies of 50 Hz and 60 Hz.

USAGE AREAS

This type pumps using at, drainage of puddles, rain and floodwaters in channels and pits up to a maximum height of 17 m and residential units and industrial facilities; sewage waters containing solid and fibrous particles not exceeding 30 mm

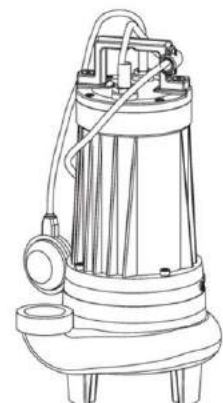
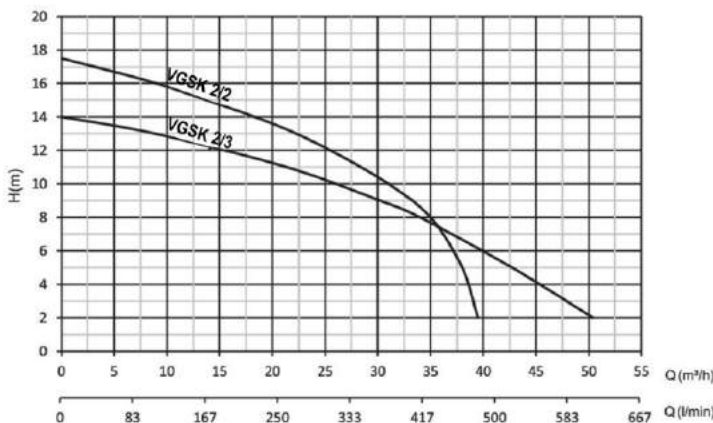
PUMP MATERIAL PROPERTIES

PUMP BODY	GG25 CAST
IMPELLER	GG25 CAST
SHAFT	AISI 304 INOX
LIQUID PUMPING TEMPERATURE	0-30°C
PROTECTION CLASS	IP 68
INSULATION	CLF
CABLE LENGTH	10 m
MECHANICAL SEAL	SIC / SIC

TYPE	Panel	Open Impeller	Close Impeller	Blade	Stainless (AISI 304 INOX)	Cast Iron Impeller(GG25)	Noryl Impeller
VGSK 2/2	✓		✓			✓	
VGSK 2/3	✓		✓			✓	

PUMP TECHNICAL PROPERTIES

TYPE	MOTOR							PUMP											
	KW	HP	V	Hz	A	rpm	CAPACITOR	INPUT	W	L	H	KG	m ³ /h	5	15	25	35	45	
			MONO TRI		MONO TRI		uf Vc	OUTPUT	mm	mm	mm		Hm						
VGSK 2/2	1.6	2.2	220	380	50	9.5 3.4	2900	50 450	2"	240	309	520	44.5		17	15	12	8	-
VGSK 2/3	1.6	2.2	220	380	50	10 3.4	2900	50 450	3"	250	350	530	45.5		13.5	12	10	8	4



VGSK 5/4



1450 RPM SEPTIC SUBMERSIBLE PUMPS

DEFINITION

Casting body, three-phase, 1450 rpm septic submersible pumps. It is manufactured at frequencies of 50 Hz and 60 Hz.

USAGE AREAS

This type pumps are suitable for working continuously and using at, drainage of puddles, rain and floodwaters in channels and pits, treatment plants up to a maximum height of 16 m, ornamental pools with high flow, residential units and industrial facilities; sewage waters containing solid and fibrous particles not exceeding 30 mm.

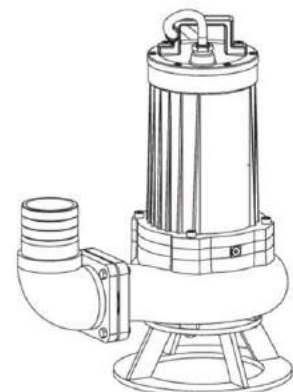
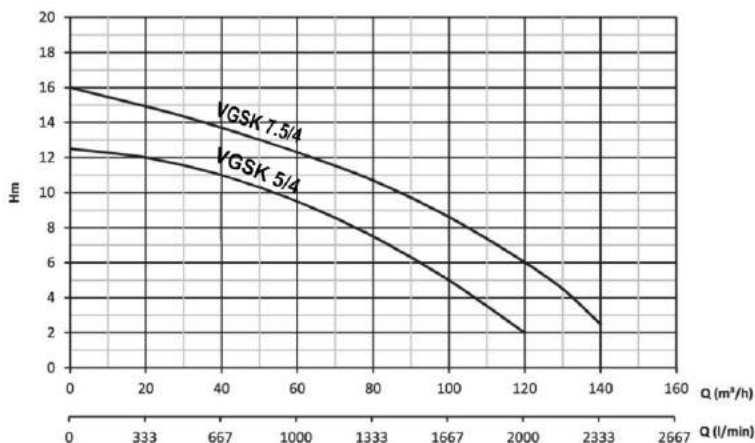
PUMP MATERIAL PROPERTIES

PUMP BODY	GG25 CAST
IMPELLER	GG25 CAST
SHAFT	AISI 304 INOX
LIQUID PUMPING TEMPERATURE	0-30°C
PROTECTION CLASS	IP 68
INSULATION	Cl.F
CABLE LENGTH	10 m
MECHANICAL SEAL	SIC / SIC

Type	Panel	Open Impeller	Close Impeller	Blade	Stainless (AISI 304 INOX)	Cast Iron Impeller(GG25)	Noryl Impeller
VGSK 5/4	✓		✓			✓	
VGSK 7.5/4	✓		✓			✓	

PUMP TECHNICAL PROPERTIES

MOTOR							PUMP											
TYPE	KW	HP	V	Hz	A	rpm	OUTPUT	W mm	L mm	H mm	KG	m ³ /h	20	40	60	80	110	130
VGSK 5/4	4	5.5	380	50	9	1450	4"	320	525	660	93	Hm	12	11	9.5	7.5	3.5	-
VGSK 7.5/4	5.5	7.5	380	50	12	1450	4"	320	525	660	94	Hm	14.5	13	11.5	10	7	4



VGSV 7.5/4



1450 RPM VORTEX IMPELLER SEPTIC SUBMERSIBLE PUMPS

DEFINITION

Casting body, three-phase, 1450 rpm vortex impeller, septic submersible pumps. It is manufactured at frequencies of 50 Hz and 60 Hz.

USAGE AREAS

This type pumps using at, drainage of puddles, rain and floodwaters in channels and pits up to a maximum height of 14 m, ornamental pools with high flow, residential units and industrial facilities. Because SDTV series pumps are vortex impeller, they are used for the discharge of solid waste and in the discharge of cloth, sack piece, fibrous material up to 50 mm.

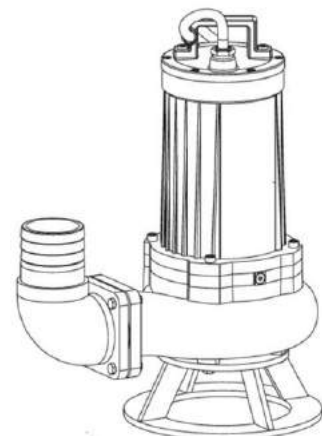
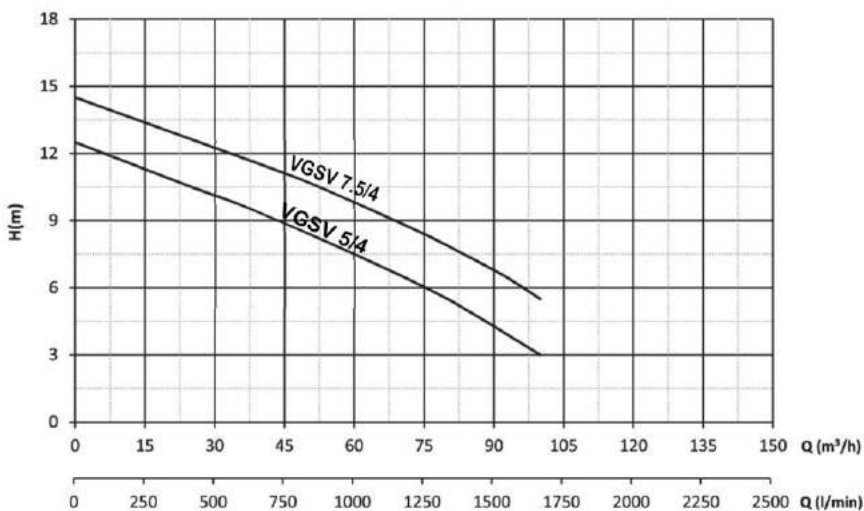
PUMP MATERIAL PROPERTIES

PUMP BODY	GG25 CAST
IMPELLER	GG25 CAST
SHAFT	AISI 304 INOX
LIQUID PUMPING TEMPERATURE	0-30°C
PROTECTION CLASS	IP 68
INSULATION	CLF
CABLE LENGTH	10 m
MECHANICAL SEAL	SIC / SIC

Type	Panel	Open Impeller	Close Impeller	Blade	Stainless (AISI 304 INOX)	Cast Iron Impeller(GG25)	Noryl Impeller
VGSV 5/4	✓	✓				✓	
VGSV 7.5/4	✓	✓				✓	

PUMP TECHNICAL PROPERTIES

MOTOR							PUMP										
TYPE	KW	HP	V	Hz	A	rpm	OUTPUT	W mm	L mm	H mm	KG	m ³ /h	15	30	60	80	100
VGSV 5/4	4	5.5	380	50	9	1450	4"	320	525	660	91	Hm	11	10	7.5	5	3
VGSV 7.5/4	5.5	7.5	380	50	12	1450	4"	320	525	660	96		13.5	12.5	10	7.5	5



VGSK 7.5/4

VGSK 15/4

SEPTIC SUBMERSIBLE PUMPS
DEFINITION

Cast body, three-phase, cesspool submersible pumps. It is manufactured at frequencies of 50 Hz and 60 Hz.

USAGE AREAS

This type pumps using at, drainage of puddles, rain and floodwaters in channels and pits up to a maximum height of 35 m, ornamental pools with high flow, residential units and industrial facilities; sewage waters containing solid and fibrous particles not exceeding 30 mm.

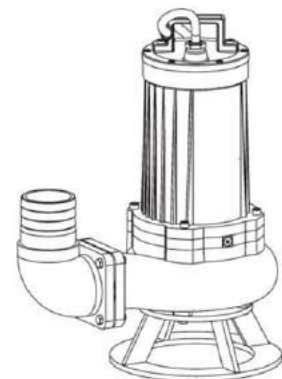
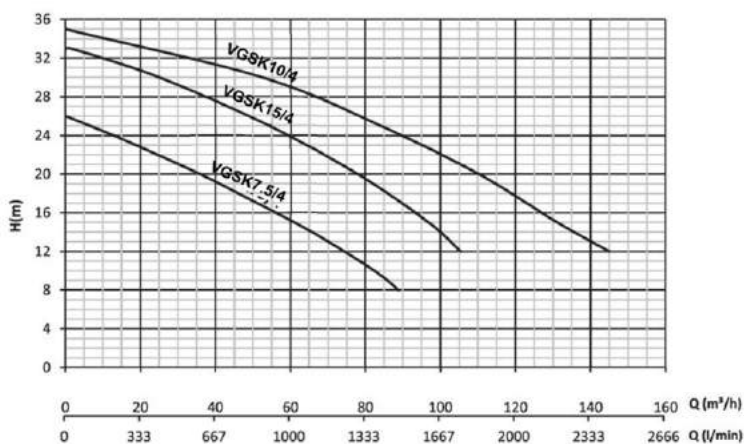
PUMP MATERIAL PROPERTIES

PUMP BODY	GG25 CAST
IMPELLER	GG25 CAST
SHAFT	AISI 304 INOX
LIQUID PUMPING TEMPERATURE	0-30°C
PROTECTION CLASS	IP 68
INSULATION	Cl.F
CABLE LENGTH	10 m
MECHANICAL SEAL	SIC / SIC

TYPE	Panel	Open Impeller	Close Impeller	Blade	Stainless (AISI 304 INOX)	Cast Iron Impeller(GG25)	Noryl Impeller
VGSK7.5/4	✓		✓			✓	
VGSK10/4	✓		✓			✓	
VGSK15/4	✓		✓			✓	

PUMP TECHNICAL PROPERTIES

TYPE	MOTOR						PUMP											
	KW	HP	V	Hz	A	rpm	OUTPUT	W mm	L mm	H mm	KG	m ³ /h	20	40	60	80	110	130
VGSK7.5/4	5.5	7.5	380	50	10	2900	4"	320	525	660	88.5	Hm	23	19	15	10	4	-
VGSK10/4	7.5	10	380	50	13	2900	4"	320	525	660	92		30	27	24	19	10	-
VGSK15/4	11	15	380	50	20	2900	4"	365	630	695	139		33	31	29	26	20	15



VGSK 30/6



1450 RPM HEAVY DUTY SUBMERSIBLE PUMP

DEFINITION

Casting body, three-phase, 1450 rpm septic submersible pumps. It is manufactured at frequencies of 50 Hz and 60 Hz.

USAGE AREAS

This type pumps is suitable for use in heavy septic because of 1450 rpm and it can be used at canals, pits, drainage of water and floodwaters up to a maximum height of 35 m, sewage waters containing solid and fibrous particles not exceeding 50 mm, treatment plants and industrial plants.

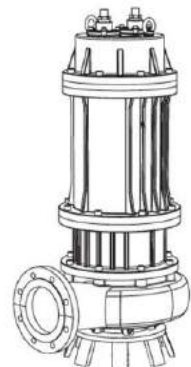
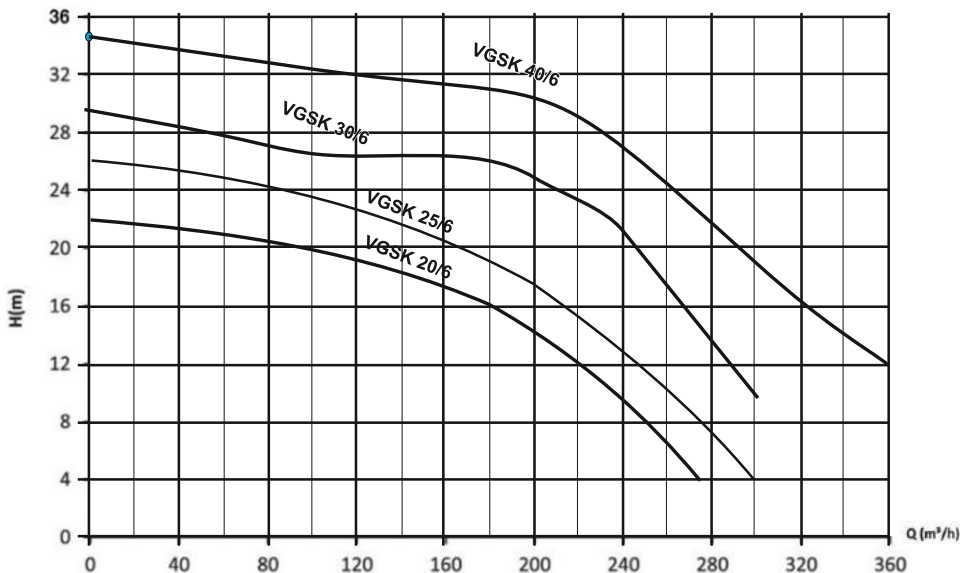
PUMP MATERIAL PROPERTIES

PUMP BODY	GG25 CAST
IMPELLER	GG25 CAST
SHAFT	AISI 304 INOX
LIQUID PUMPING TEMPERATURE	0-30°C
PROTECTION CLASS	IP 68
INSULATION	Cl.F
CABLE LENGTH	10 m
MECHANICAL SEAL	SIC / SIC

TYPE	Panel	Open Impeller	Close Impeller	Blade	Stainless (AISI 304 INOX)	Cast Iron Impeller(GG25)	Noryl Impeller
VGSK 20/6			✓			✓	
VGSK 25/6			✓			✓	
VGSK 30/6			✓			✓	
VGSK 40/6			✓			✓	

PUMP TECHNICAL PROPERTIES

TYPE	MOTOR						PUMP										
	KW	HP	V	Hz	A	rpm	OUTPUT	W mm	L mm	H mm	KGm ³ /h	40	100	200	250	300	
VGSK 20/6	15	20	380	50	30	1450	6"	465	568	1137	310	Hm	21	20	14	9	-
VGSK 25/6	18.5	25	380	50	32	1450	6"	465	568	1137	344		25	23	17	12	4
VGSK 30/6	22	30	380	50	32	1450	6"	465	568	1137	344		29	27	25	21	10
VGSK 40/6	30	40	380	50	53	1450	6"	465	568	1137	640		35	32	30	25	18



VGSK 200 - 250 - 300 - 350 - 400

1450 RPM HEAVY DUTY SUBMERSIBLE PUMP

DEFINITION

Casting body, three-phase, 1450 rpm septic submersible pumps. It is manufactured at frequencies of 50 Hz and 60 Hz.

USAGE AREAS

This type pumps is suitable for use in heavy septic because of 1450 rpm and it can be used at canals, pits, drainage of water and floodwaters up to a maximum height of 35 m, sewage waters containing solid and fibrous particles not exceeding 50 mm, treatment plants and industrial plants.

PUMP MATERIAL PROPERTIES

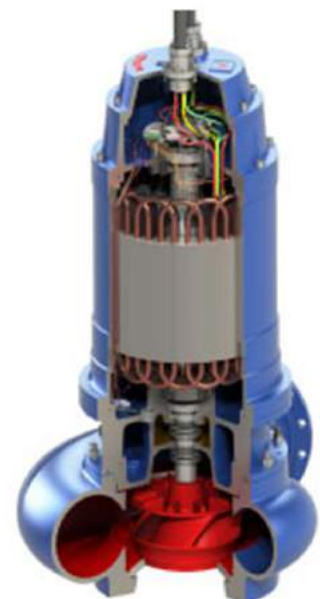
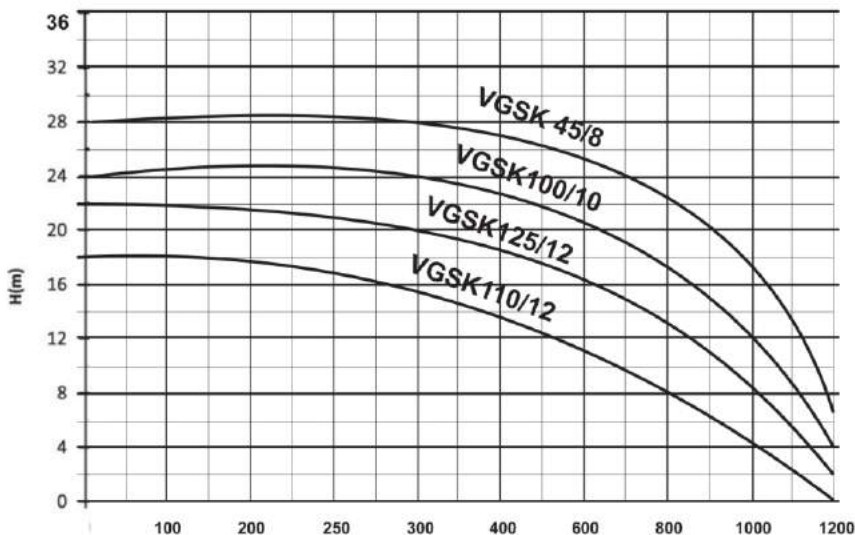
PUMP BODY	GG25 CAST
IMPELLER	GG25 CAST
SHAFT	AISI 304 INOX
LIQUID PUMPING TEMPERATURE	0-30°C
PROTECTION CLASS	IP 68
INSULATION	Cl.F
CABLE LENGTH	10 m
MECHANICAL SEAL	SIC / SIC



TYPE	Panel	Open Impeller	Close Impeller	Blade	Stainless (AISI 304 INOX)	Cast Iron Impeller(GG25)	Noryl Impeller
VGSP 20/6			✓			✓	
VGSP 50/6			✓			✓	
VGSP 30/6			✓			✓	

PUMP TECHNICAL PROPERTIES

MOTOR							PUMP														
TYPE	KW	HP	V	Hz	A	rpm	OUTPUT	W mm	L mm	H mm	KGm ³ /h	100	200	250	300	400	600	800	1000	1200	
VGSK 45/8	45	60	380	50	82	980	8"	380	550	1350	970	Hm	-	-	-	31	28	23	17	12	10
VGSK100/10	75	100	380	50	135	980	10"	380	650	1137	1650		-	-	-	29	27	25	19	12	9
VGSK125/12	90	125	380	50	30	980	12"	465	568	1137	310		-	-	-	-	29	25	24	22	16
VGSK110/12	110	150	380	50	32	980	12"	465	568	1137	2100		-	-	-	-	31	30	29	27	19





VINCENZI & GIBERTINI S.r.l. - Via A. Labriola n° 25 - 41123 MODENA (Italy)
Tel. +39 059 33.53.03 - +39 059 33.53.81 - Telefax +39 059 82.67.67
E-mail: info@vincenzipumps.com - www.vincenzipumps.com